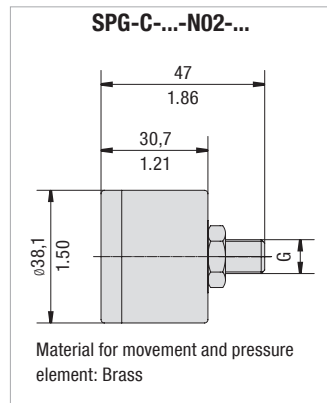
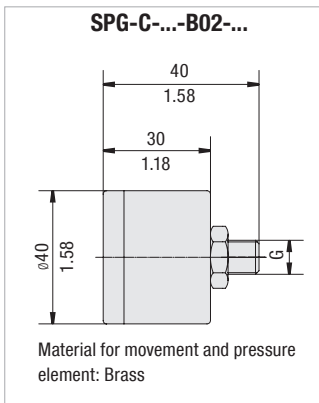


## Clogging Indicators

## Visual Indicators



SPG-C-...-B02-...



SPG-C-...-N02-...



SPG-C-...-B02-...



SPG-C-...-N02-...

Visual Pressure Clogging Indicators (for Spin-On Filter in Return-Line applications)							Order Code
Thread	Connection G	Unit of scale	Range of scale	Coloured Segments			
				Green	Yellow	Red	
BSP	1/8	bar	0 ... 2,5	0 ... 1,2	1,2 ... 1,5	1,5 ... 2,5	SPG-C-040-00002.5-02-P-B02-402923
	1/8	bar	0 ... 4	0 ... 2,5	2,5 ... 3	3 ... 4	SPG-C-040-00004-02-P-B02-402922
	1/8	bar	0 ... 12	without coloured segments			SPG-C-040-00012-02-P-B02
NPT	1/8	PSI	0 ... 100	0 ... 13	13 ... 15	15 ... 100	SPG-C-040-00100-03-P-N02-402927
	1/8	PSI	0 ... 100	0 ... 21	21 ... 25	25 ... 100	SPG-C-040-00100-03-P-N02-402928
Visual Vacuum Clogging Indicators (for Spin-On Filter in Suction-Line applications)							Order Code
BSP	1/8	cm Hg	-76 ... 0	-13 ... 0	-18 ... -13	-76 ... -18	SPG-C-040-(-76)-00000-22-P-B02-402924
	1/8	in Hg	-30 ... 0	-4 ... 0	-6 ... -4	-30 ... -6	SPG-C-040-(-30)-00000-23-P-N02-402925
NPT	1/8	in Hg	-30 ... 0	-9 ... 0	-11 ... -9	-30 ... -11	SPG-C-040-(-30)-00000-23-P-N02-402926

## Electrical Clogging Switch

## Order Code

**Limit-Switch - G42NO - S - G02 - B1.3**

①

②

③

④

⑤

## ① Type

Limit-Switch

## ② Connector Type

Electrical Clogging Switch 42 V, NO	<b>G42NO</b>
Electrical Clogging Switch 42 V, NC	<b>G42NC</b>
Electrical Clogging Switch 110 V ... 230 V, two-way contact (only for Plug Type W)	<b>G230</b>

## ③ Plug Type

M12 Five-Pin Connector according to IEC 61076-2-101	<b>M12</b>
AMP-Junior-Timer Plug	<b>A</b>
DEUTSCH Plug DT04-2P	<b>D</b>
Rubber boot	<b>S</b>
90 degree Polyamide cap (only for Connector Type G230)	<b>W</b>

## ④ Thread Type

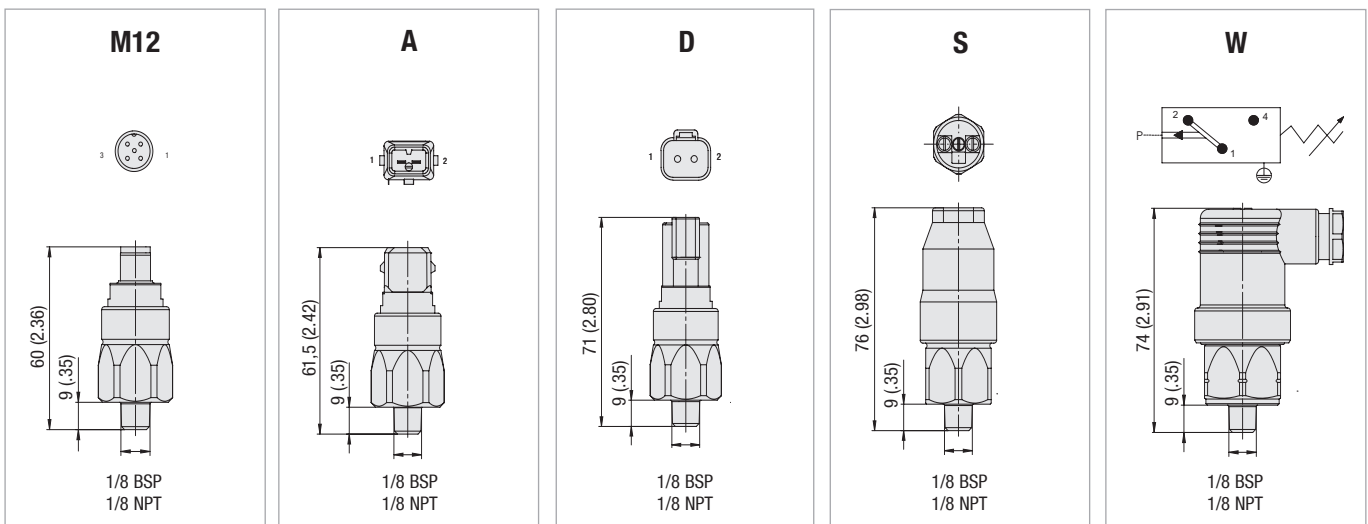
1/8 BSP	<b>G02</b>
1/8 NPT	<b>N02</b>

## ⑤ Pressure Setting

1,3 bar / 18.8 PSI	<b>B1.3</b>
-0,1 bar / -1.45 PSI*	<b>B-0.1</b>

\* (only for Plug Type W and Connector Type G230)

## Dimensions Plug Type



Note: The customer / user carries the responsibility for the electrical connection.

Dimensional drawings: All dimensions in mm/in.

