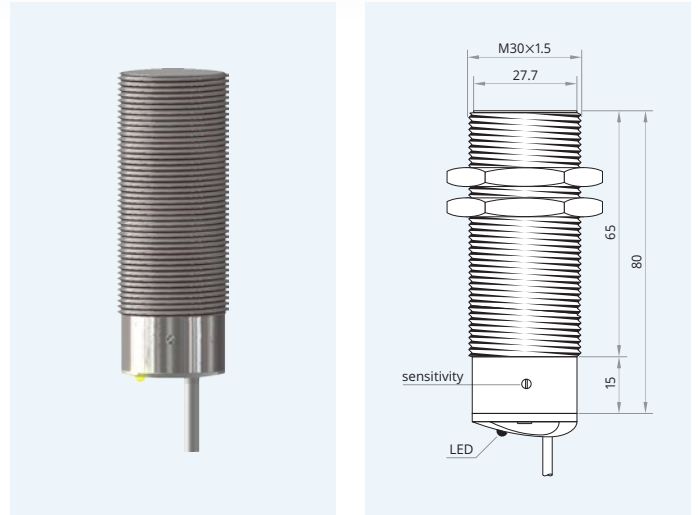


## CS30-N30AC90-A2P

## Capacitive Proximity Switch 2-Wire AC Sensing range: *Increased*

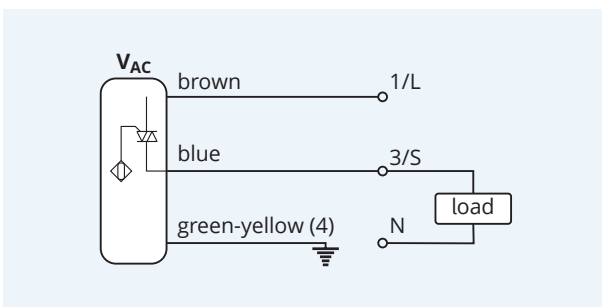
Mind O≠0, I≠I≠1, S≠5, B≠8.

Housing dimension	M30×1.5
Mounting	non-flush
Sensing distance $S_n$	30 mm
Operating voltage	20...250 V <sub>AC</sub>
Reverse polarity protection	not required
Current consumption	<3 mA
Current load capability	≈5 mA
Output function	normally closed
Voltage drop	<8 V @ 400 mA
Switching frequency	25 Hz
Adjustment	multi-turn potentiometer
Operating temperature	-20...+70 °C · -3...+159 °F
Protection class	IP67
Sensing face material	PBT
Housing material	brass
Switching indicator	built-in
Connection	PVC, ultra-flex
Complies with	CE, RoHS



**25 months** **Warranty** Our products are manufactured to stringent ISO 9001 European standards to ensure that our customers only receive the best quality.

Wiring diagram



**⚠** Caution! This device shall not be used if the safety of persons rely on its faultless function.

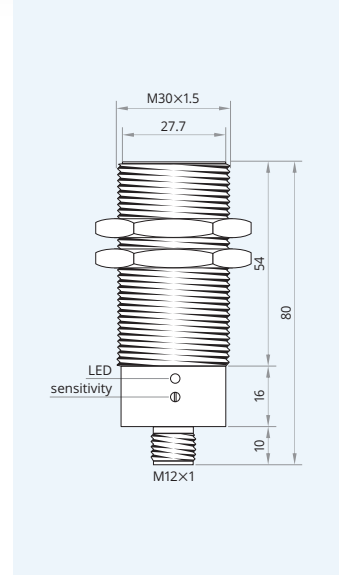
XECRO reserves the right to make minor changes without prior notification.

## CS30-S20PC80-A12

## Kapacitív Proximitys Capativo 3-Wire DDC Belső tápellátású Atrihada

Object ID: 01911#15#5#5#8#8.

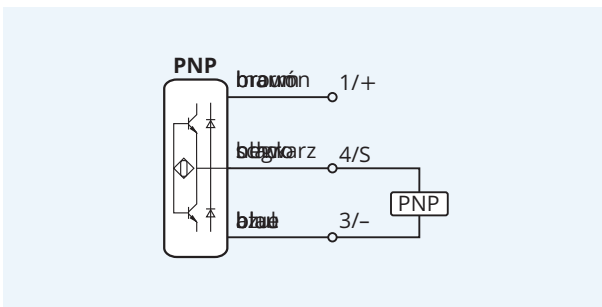
Beépítési méret	M30×1,5
Montázs	Büszög
Szennyeződés-érzékenység S <sub>n</sub>	20 mm
Operatív tápellátás	10...30 V <sub>DC</sub>
Reverse polarity detection	Integrálva
Maximális áramfelvétel	< 9 mA
Áramfelvétel a kimeneten	200 mA
Áramforrás típusa	Önálló tápellátás
Operatív állapota	PNP
Relé működési mód	Integrált, feszültségellenőrzés
Állapotjel	< 2 V @ 200 mA
Szűrési frekvencia	100 Hz
Állapotjel	Maximális potenciálkülönbség
Operatív hőmérséklet-tartomány	-20... +70 °C · -3... +159 °F
Beépítési védelem	IP67
Szennyeződés-érzékenység det.	PBT
Beépítési méret	Massing
Operatív állapota	Integrálva
Állapotjel	Standard M12
Értékelés	CE, RoHS



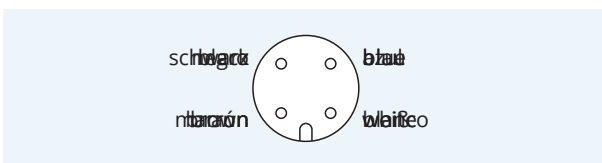
**Garancia** 25 hónap. A termék hibáért a gyártó felelős. A termék használata során a gyártó nem vállal felelősséget a termék helytelen használatáért.



### Állapotjel



### Állapotjel



**Caution!** Please do not touch the sensor if the sensor is powered on. The sensor is not for use in hazardous areas.

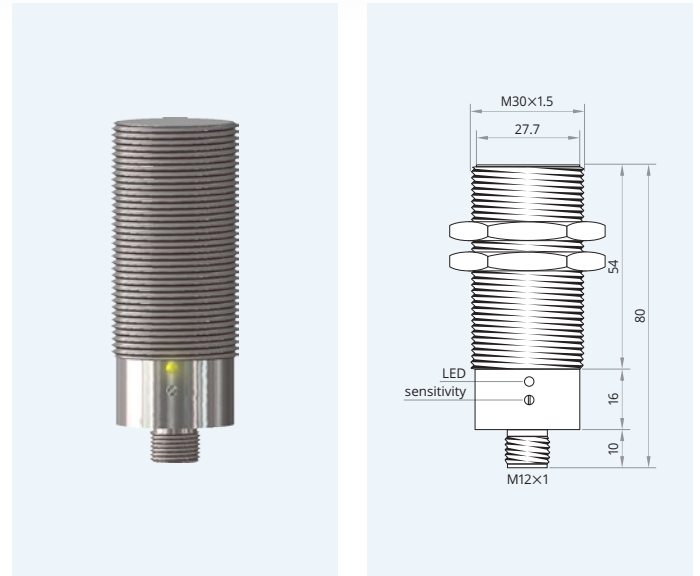
XECRO XECRO, a XECRO Group company. XECRO is a registered trademark of XECRO Group.

**CS30-S20PO80-A12**

**Kapacitív Proximitys Capativo**  
**3-Wire DDC**  
**Reloj de tiempo de vida de la batería**

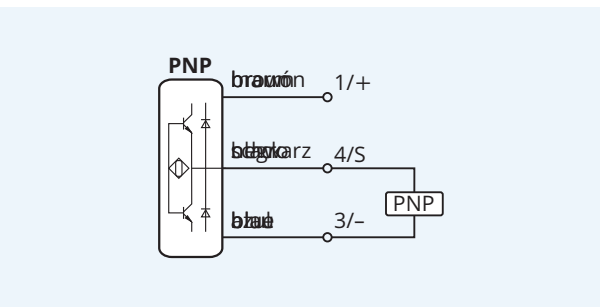
Object Code: 019011#15#15#5#5#0#8.

Behältergröße	M30x1,5
Montage	Büchse
Sensordistanz	20 mm
Speisung	10...30 V <sub>DC</sub>
Reverse-Polarity-Schutz	Integriert
Stromverbrauch	<9 mA
Supply Current	200 mA
Ausgangsfunktion	PNP
Output Polarity	PNP
Relay Contact Protection	Integriert
Operating Voltage	<2 V @ 200 mA
Switching Frequency	100 Hz
Adjustment	Integriert
Temperature Range	-20...+70 °C · -3...+159 °F
Protection Class	IP67
Sensing Method	PBT
Material	Brass
Switching Current	Integriert
Condition	Stock M12
Compliance	CE, RoHS

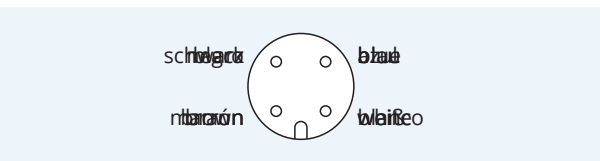


**25** Months  
**Warranty** UNIKES provides a 25-month warranty on its products. The warranty is valid for all products. The warranty is not valid for products that are damaged due to misuse or accidents. The warranty is not valid for products that are damaged due to fire or theft. The warranty is not valid for products that are damaged due to natural disasters. The warranty is not valid for products that are damaged due to wear and tear. The warranty is not valid for products that are damaged due to incorrect installation. The warranty is not valid for products that are damaged due to incorrect use. The warranty is not valid for products that are damaged due to incorrect maintenance. The warranty is not valid for products that are damaged due to incorrect handling. The warranty is not valid for products that are damaged due to incorrect storage. The warranty is not valid for products that are damaged due to incorrect transport. The warranty is not valid for products that are damaged due to incorrect packaging. The warranty is not valid for products that are damaged due to incorrect labeling. The warranty is not valid for products that are damaged due to incorrect documentation. The warranty is not valid for products that are damaged due to incorrect information. The warranty is not valid for products that are damaged due to incorrect instructions. The warranty is not valid for products that are damaged due to incorrect manuals. The warranty is not valid for products that are damaged due to incorrect brochures. The warranty is not valid for products that are damaged due to incorrect catalogs. The warranty is not valid for products that are damaged due to incorrect websites. The warranty is not valid for products that are damaged due to incorrect social media. The warranty is not valid for products that are damaged due to incorrect advertising. The warranty is not valid for products that are damaged due to incorrect marketing. The warranty is not valid for products that are damaged due to incorrect sales. The warranty is not valid for products that are damaged due to incorrect distribution. The warranty is not valid for products that are damaged due to incorrect logistics. The warranty is not valid for products that are damaged due to incorrect shipping. The warranty is not valid for products that are damaged due to incorrect delivery. The warranty is not valid for products that are damaged due to incorrect installation. The warranty is not valid for products that are damaged due to incorrect use. The warranty is not valid for products that are damaged due to incorrect maintenance. The warranty is not valid for products that are damaged due to incorrect handling. The warranty is not valid for products that are damaged due to incorrect storage. The warranty is not valid for products that are damaged due to incorrect transport. The warranty is not valid for products that are damaged due to incorrect packaging. The warranty is not valid for products that are damaged due to incorrect labeling. The warranty is not valid for products that are damaged due to incorrect documentation. The warranty is not valid for products that are damaged due to incorrect information. The warranty is not valid for products that are damaged due to incorrect instructions. The warranty is not valid for products that are damaged due to incorrect manuals. The warranty is not valid for products that are damaged due to incorrect brochures. The warranty is not valid for products that are damaged due to incorrect catalogs. The warranty is not valid for products that are damaged due to incorrect websites. The warranty is not valid for products that are damaged due to incorrect social media. The warranty is not valid for products that are damaged due to incorrect advertising. The warranty is not valid for products that are damaged due to incorrect marketing. The warranty is not valid for products that are damaged due to incorrect sales. The warranty is not valid for products that are damaged due to incorrect distribution. The warranty is not valid for products that are damaged due to incorrect logistics. The warranty is not valid for products that are damaged due to incorrect shipping. The warranty is not valid for products that are damaged due to incorrect delivery.

**Angewandte Schaltung**



**Asignación de pines**



**Caution!** Please do not touch the sensor while it is powered on. The sensor is not to be used for safety-critical applications. The sensor is not to be used for applications where a failure could result in personal injury or damage to property. The sensor is not to be used for applications where a failure could result in environmental damage. The sensor is not to be used for applications where a failure could result in financial loss. The sensor is not to be used for applications where a failure could result in reputational damage. The sensor is not to be used for applications where a failure could result in legal liability. The sensor is not to be used for applications where a failure could result in regulatory non-compliance. The sensor is not to be used for applications where a failure could result in loss of data. The sensor is not to be used for applications where a failure could result in loss of control. The sensor is not to be used for applications where a failure could result in loss of life. The sensor is not to be used for applications where a failure could result in loss of limb. The sensor is not to be used for applications where a failure could result in loss of sight. The sensor is not to be used for applications where a failure could result in loss of hearing. The sensor is not to be used for applications where a failure could result in loss of speech. The sensor is not to be used for applications where a failure could result in loss of memory. The sensor is not to be used for applications where a failure could result in loss of identity. The sensor is not to be used for applications where a failure could result in loss of freedom. The sensor is not to be used for applications where a failure could result in loss of dignity. The sensor is not to be used for applications where a failure could result in loss of respect. The sensor is not to be used for applications where a failure could result in loss of honor. The sensor is not to be used for applications where a failure could result in loss of honor. The sensor is not to be used for applications where a failure could result in loss of honor.

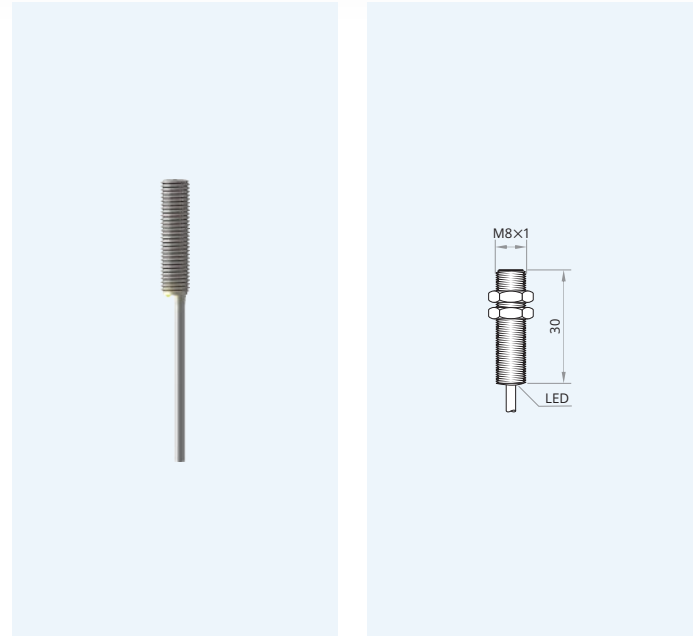
XECRO XAF01, sede de XECRO en Alemania, es un producto de XECRO.

## IPS8-S3PC30-A2P

Objekt-Nr.: 01911#1#5#5#5#8.

Behältergröße	M8×1
Montage	senkrecht
Seitliche Abmessung S <sub>n</sub>	3 mm
Betriebsspannung	10...30 V <sub>DC</sub>
Reverse-Polaritätserkennung	Integriert
Stromverbrauch im Ruhezustand	< 8 mA
Spannungsbereich der Last	200 mA
Ausgangsfunktion	Öffnen
Ausgangspolarität	PNP
Richtungsprinzip	Induktion
Spannungsfall	< 1,5 V @ 200 mA
Schwingfrequenz	1000 Hz
Reduktion der Emission	Alu 0,45 · Masse 0,055 · 900000
Temperaturbereich	-20...+70 °C · -3...+159 °F
Strahlungsabweisung	IP67
Sensitivität	PBT
Montageort	304
Material	Integriert
Abdichtung	PVC, ultra-flex
Montagehöhe z	1 mm
Umwelt	CE, RoHS

## Resistive Präzisions-Schaltrelais 3-Wire DDC Ringkernmagneteinbauelement

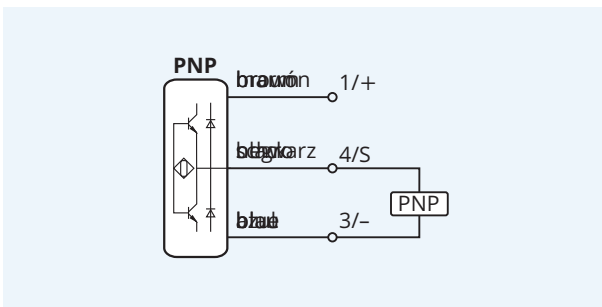


**25** Monate

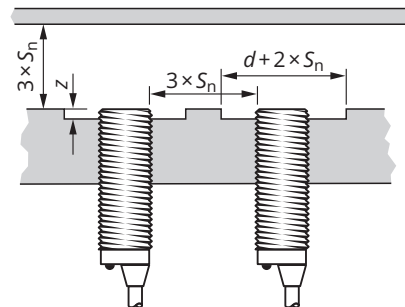
**Warranty** Unsere Produkte werden für ein Jahr des Standards ISO 9001 gefertigt, entsprechend ISO 14001 sind die wesentlichen Anforderungen erfüllt.

**Quality Management**  
 ISO 9001:2015

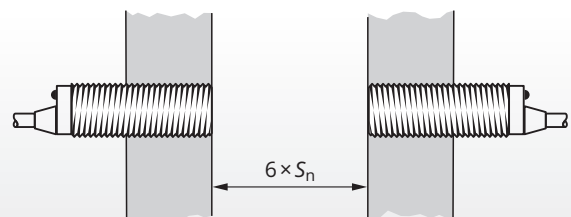
Diagramm der Montage



Einstrahlende parallele Montage



Abstrahlende gegenüberliegende Montage



**Caution!** Please be careful not to damage the sensor and personally do not damage the function of the cable.

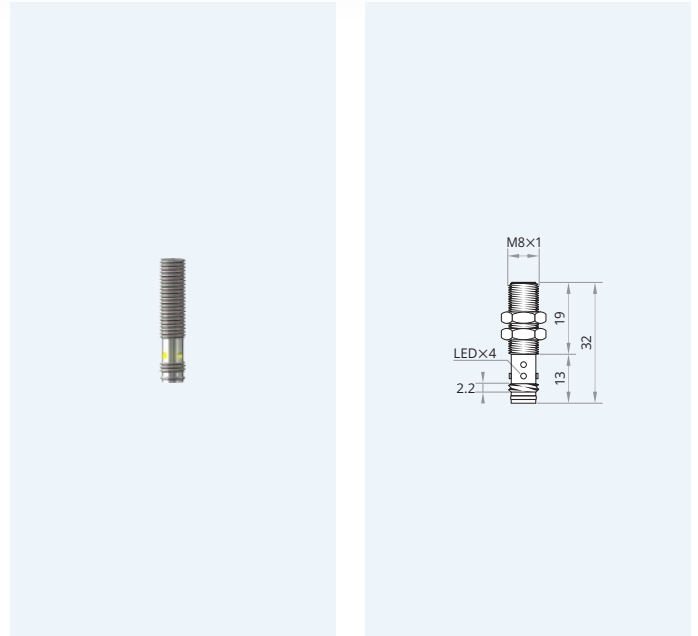
XECRO ist ein Unternehmen der XECRO Group. Alle Rechte vorbehalten. XECRO ist ein eingetragenes Warenzeichen.

# IPS8-S3PC32-A8

Objekt-Nr.: 019911#15#5#5#0#8.

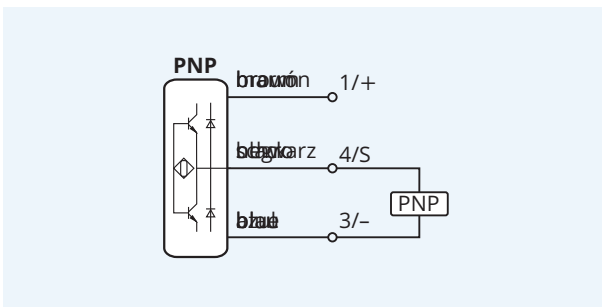
Behältergröße	M8x1
Montage	senkrecht
Schraubabstand $S_n$	3 mm
Betriebsspannung	10...30 V <sub>DC</sub>
Reversepolungsdetektion	Integriert
Stromverbrauch	< 8 mA
Spannungsausgang	200 mA
Ausgangsfunktion	Öffnen bei Abschaltung
Ausgangspolarität	PNP
Relaiskontaktanordnung	Integriert, feststehend
Spannungsfall	< 1,5 V @ 200 mA
Schaltfrequenz	1000 Hz
Reduktion der Emission	Alu 0,45 · Masse 0,055 · 900885
Temperaturbereich	-20...+70 °C · -3...+159 °F
Strahlungsabweisung	IP67
Sensitivitätswert	PBT
Montagehöhe	33,04
Schaltfrequenz	Integriert
Abstand	6 x $S_n$
Montagehöhe z	1 mm
Eröffnungsart	CE, RoHS

## Resistive Präklemmsteckverbinder 3-Wire DDC Ringlockstecker für einleitend

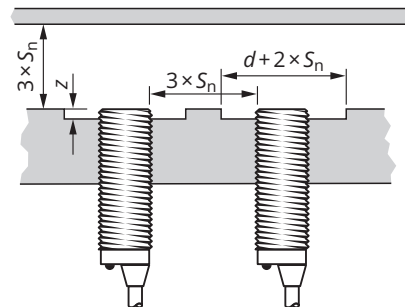


**25** Monate  
**Garantie** Unsere Produkte werden gemäß den Standards ISO 9001 gefertigt und sind für 25 Monate ab dem Kaufdatum garantiert.

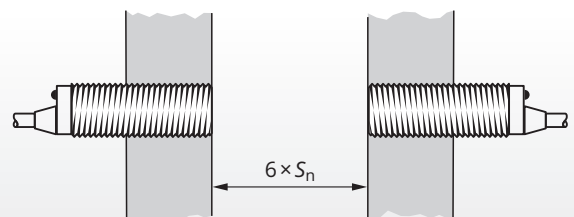
Diagramm der Montage



Essen für die parallele Montage



Abstand für die gegenüberliegende Montage



**Caution!** Please be careful not to damage the safety of persons by improper use of the function or connection.

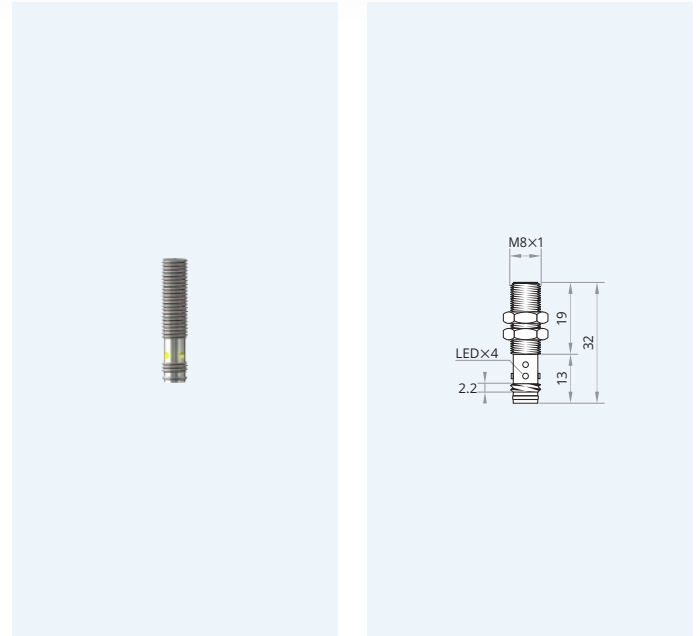
XECRO ist ein Produkt der XECRO Group, ein Unternehmen der XECRO Group.

## IPS8-S3PO32-A8

Objekt-Nr.: 01911#15#5#5#0#8.

Behältergröße	M8×1
Montage	senkrecht
Seitliche Abmessung $S_n$	3 mm
Betriebsspannung	10...30 V <sub>DC</sub>
Reversestromschutz	Integriert
Stromverbrauch im Ruhezustand	< 8 mA
Stromverbrauch im Betrieb	200 mA
Ausgangsfunktion	60 mA / 100 ms
Ausgangspolarität	PNP
Richtungsprinzip	Induktiv
Spannungsfall	< 1,5 V @ 200 mA
Schaltfrequenz	1000 Hz
Reduktion der Emission	Alu 0,45 · Masse 0,055 · 900000000
Temperaturbereich	-20...+70 °C · -3...+159 °F
Strahlungsabweisung	IP67
Sensitivität	PBT
Montageort	3004
Schaltstrom	Integriert
Abmessung	60 mA / 100 ms
Montagehöhe z	1 mm
Compliance	CE, RoHS

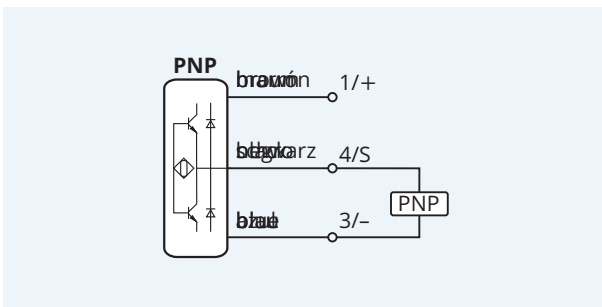
## Resistive Präkonditionierung 3-Wire DDC Ringlooptopologie für Induktivlast



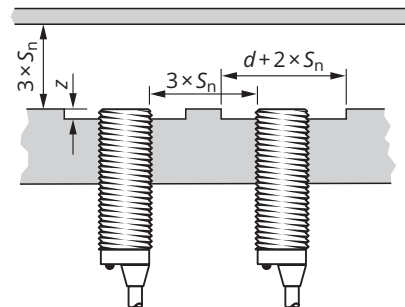
**25** Monate

**Warranty** Unsere Produkte werden für ein Jahr des Bestehens ISO 9001 zertifiziert, um die Qualität der Produkte zu gewährleisten und die Kundenzufriedenheit zu erhöhen.

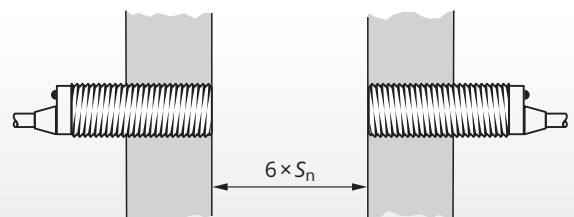
Diagrama de conexión



Es ist ein tiefe parallele Montage



Abstand für Gegenbohrung



**Caution!** Please be careful not to damage the sensor if it is used in a hazardous environment. The function of the sensor depends on the application.

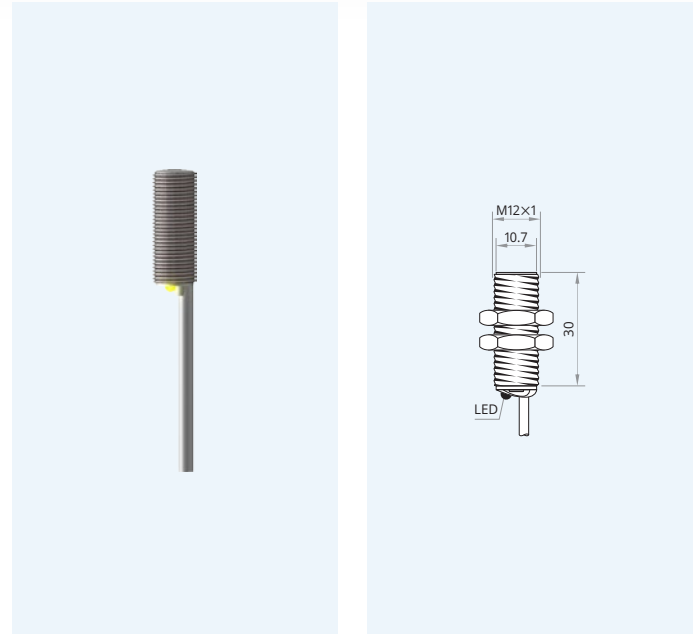
XECRO ist ein Unternehmen der XECRO Group. Alle Rechte vorbehalten. XECRO ist ein Unternehmen der XECRO Group. Alle Rechte vorbehalten.

## IPS12-S6PC30-A2P

Objeto de la Norma: 19011#1#5#15#5#0#8.

Ensamblaje de la carcasa	M12x1
Montaje	seni-flanjo
Separación de la sección $S_n$	6 mm
Operación de montaje	10...30 V <sub>DC</sub>
Reversión de la dirección de detección	Integrada
Consumo de corriente	< 8 mA
Capacidad de corriente de salida	200 mA
Acción de salida	Órfinalmente cerrado
Operación de salida	PNP
Resistencia de protección de circuito	Integrada, resistencia de 100 Ω
Voltaje de cortocircuito	< 1,5 V @ 200 mA
Frecuencia de conmutación	800 Hz
Reducción de la tensión	Alu 0,45 · <del>Brass 0,505-0,50885</del>
Temperatura de operación	-20...+70 °C · -3...+159 °F
Grado de protección	IP67
Sensibilidad de salida de det.	PBT
Material de la carcasa	Brass
Modo de conmutación	Integrada
Condición	PVC, ultra-flex
Montaje de la carcasa	2 mm
Conformidad	CE, RoHS

## Resistive Proximity Switch 3-Wire PNP CC Ring Mounting Form Factor

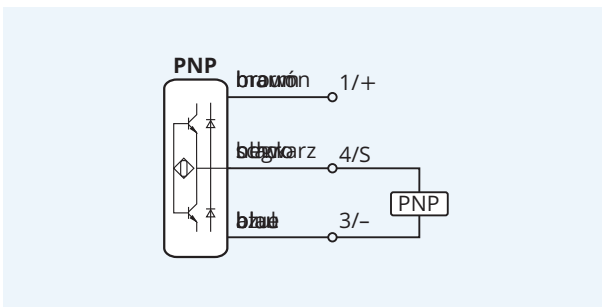


**25** Months

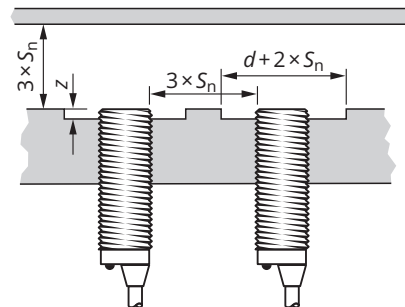
**Warranty** UNICER provides a 25-month warranty on the sensor. The warranty is based on the ISO 9001 certification, supported by ISO 14001 and ISO 13129 certifications, ensuring the highest quality.

**Quality Management**  
 ISO 9001:2015

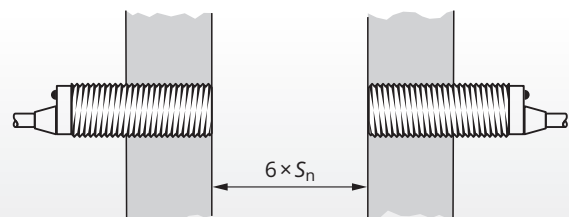
Diagrama de conexión



Esquema de fijación paralela



Abstracción de montaje



**Caution!** This is a sensitive device and should be handled with care. The sensor is not for use in hazardous areas. The function of the sensor depends on the operating conditions.

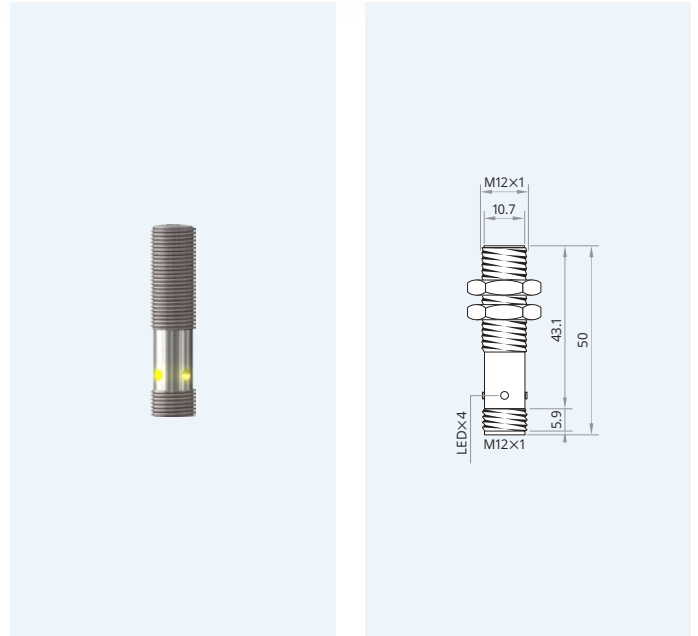
XECRO is a registered trademark of XECRO. All rights reserved. XECRO is a registered trademark of XECRO. All rights reserved.

# IPS12-S6PC50-A12

Objekt-Nr.: 01911#1#5#5#5#8.

Behältergröße	M12x1
Montage	senkrecht
Seitliche Abmessung $S_n$	6 mm
Betriebsspannung	10...30 V <sub>DC</sub>
Reverse-Polarity-Schutz	Integriert
Stromverbrauch	< 8 mA
Spannungsausgang	200 mA
Ausgangsfunktion	Öffnen bei Abschaltung
Ausgangspolarität	PNP
Reaktionsschwindigkeit	Integriertes Schütz
Speisepotential	< 1,5 V @ 200 mA
Schwingfrequenz	800 Hz
Reduktion der Emission	Alu 0,45 · Masse 0,505 · 900885
Temperaturbereich	-20...+70 °C · -3...+159 °F
Strahlungsabweisung	IP67
Sensitivität	PBT
Material Gehäuse	Brass
Switching-Comutation	Integriert
Abmessung	Standard für M12
Montagehöhe z	2 mm
Compliance	CE, RoHS

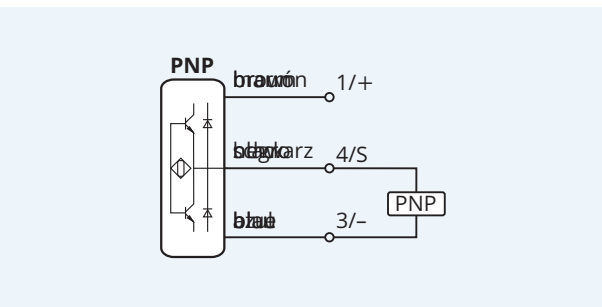
## Resistive Präkonditioniert aktiv 3-Wire DDC Ringkontakt für Einbaufederart



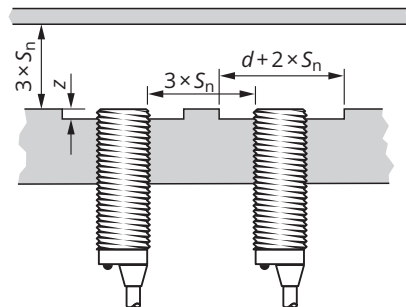
**Warranty** 25 Monate  
 UNTERSTÜTZUNG DER VERWANDTEN  
 STANDARDS ISO 9001 FÜR QUALITÄT, ISO 14001 FÜR  
 UMWELT UND ISO 45001 FÜR SICHERHEIT.



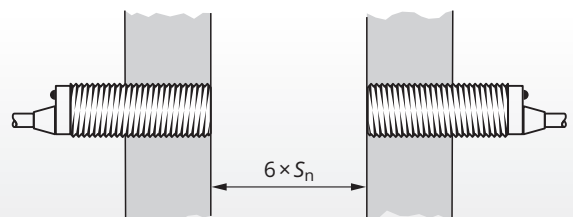
Diagramm der Anschlüsse



Es ist ein tiefer paralleler Montage



Abstand für Gegenbohrung



**Caution!** Please be careful not to damage the sensor and personally verify the function before use.

XECRO ist ein Unternehmen der XECRO Group. Alle Rechte vorbehalten. XECRO ist ein eingetragenes Warenzeichen.

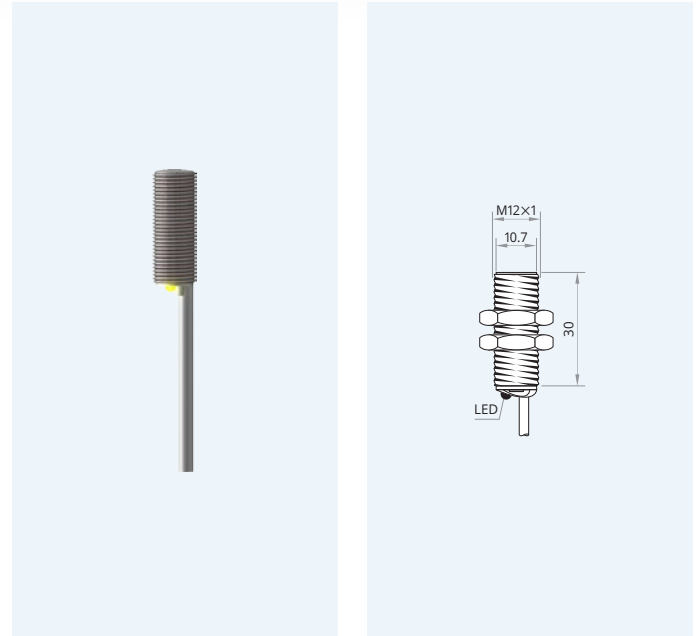


## IPS12-S6PO30-A2P

Objeto de la Norma: 15154, 15155, 15156, 15157, 15158.

Enchufe de la carcasa	M12×1
Montaje	seni-funció
Señal de salida	señal de salida
Señal de salida S <sub>n</sub>	6 mm
Operación de montaje	10...30 V <sub>DC</sub>
Reversibilidad de detección	Integrada
Consumo de corriente	<8 mA
Capacidad de salida	200 mA
Acción de salida	6ch y 1repetido
Acción de salida	PNP
Resistencia de protección	Integrada, fijo y variable
Voltaje de caída	<1,5 V @ 200 mA
Frecuencia de conmutación	800 Hz
Reducción de tensión	Alu 0,45 · Brass 0,505 · S100085
Temperatura de operación	-20...+70 °C · -3...+159 °F
Grado de protección	IP67
Sensibilidad de salida	PBT
Material de la carcasa	Brass
Material de conmutación	Integrado
Condición	PVC, ultra-flex
Material de la carcasa z	2 mm
Condiciones	CE, RoHS

## Resistive Proximity Switch 3-Wire DDC Relay Output, 60mA, 30VDC

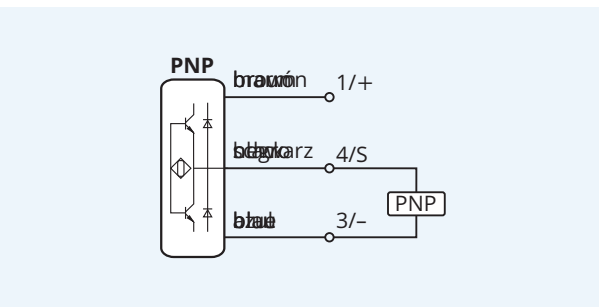


**25** Meses

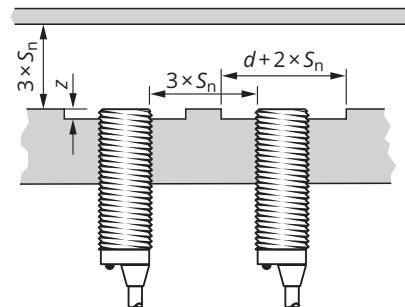
**Warranty** UNUSUAL 25 MONTH WARRANTY. The sensor is covered by a 25-month warranty. The warranty is valid for the entire life of the sensor. The warranty is not valid for damage caused by misuse or accidents.

**ISO 9001** Quality Management

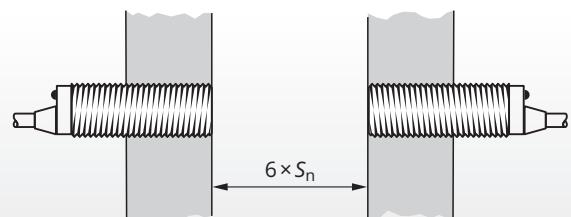
Diagrama de conexión



Esquema de fijación paralelo



Esquema de fijación de montaje



**Caution!** This is a sensitive device. Handle with care. The sensor is not for use in explosive atmospheres. The function of the sensor depends on the operating conditions.

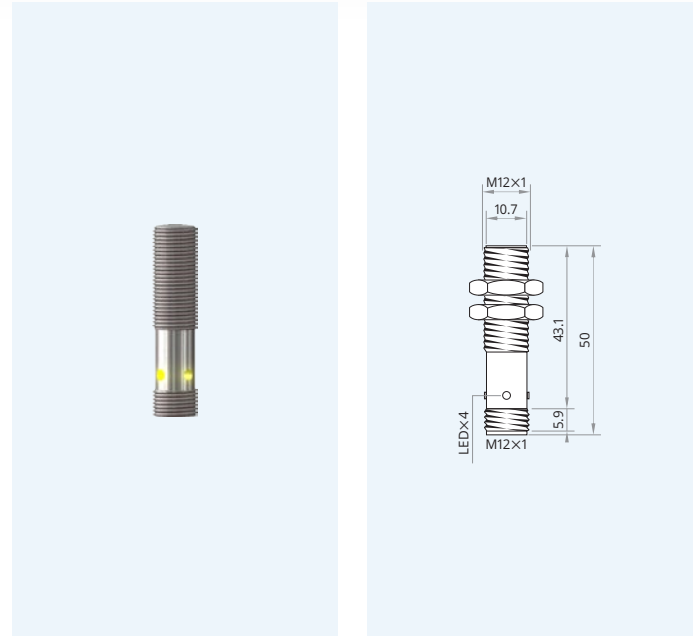
XECRO is a registered trademark of XECRO. All rights reserved. XECRO is a registered trademark of XECRO. All rights reserved.

## IPS12-S6PO50-A12

Objeto de la Norma: #1#5#7#8#9#10#11#12#13#14#15#16#17#18#19#20#21#22#23#24#25#26#27#28#29#30#31#32#33#34#35#36#37#38#39#40#41#42#43#44#45#46#47#48#49#50#51#52#53#54#55#56#57#58#59#60#61#62#63#64#65#66#67#68#69#70#71#72#73#74#75#76#77#78#79#80#81#82#83#84#85#86#87#88#89#90#91#92#93#94#95#96#97#98#99#100

Ensamblado en casa	M12x1
Montaje	serio / blindado
Señal de salida	6 mm
Definición $S_n$	6 mm
Definición de montaje	10...30 V <sub>DC</sub>
Reversibilidad de detección	Integrada
Consumo de corriente	< 8 mA
Capacidad de salida	200 mA
Acción de salida	6 canales / abierto
Acción de salida	PNP
Resistencia de protección	Integrada / resistencia de protección
Voltaje de caída	< 1,5 V @ 200 mA
Frecuencia de conmutación	800 Hz
Reducción de ruido	Alu 0,45 · <del>Alu 0,55 · Alu 0,65</del>
Temperatura de funcionamiento	-20... +70 °C · -3... +159 °F
Grado de protección	IP67
Sensibilidad de salida	PBT
Material de la carcasa	brass
Modo de conmutación	Integrado
Condiciones	6 canales / M12
Montaje de montaje	2 mm
Condiciones	CE, RoHS

## Resistive Proximity Switch 3-Channel CC Reliable and Flexible

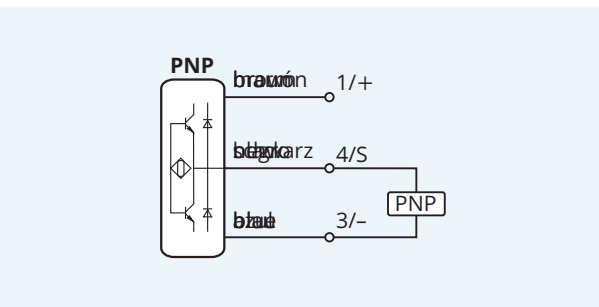


**25** Months

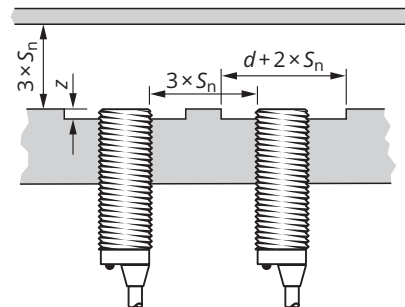
**Warranty** UNBESCHRÄNKTE GARANTIE  
Das Produkt ist für 25 Monate oder 250.000 Zyklen garantiert. Bei Beschädigung durch Material- oder Herstellungsfehler wird das Produkt kostenlos repariert oder ersetzt. Die Garantie ist an die Originalgarantie gebunden.

**Quality Management**  
ISO 9001:2015

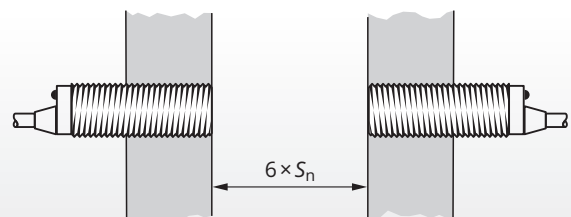
Diagrama de conexión



Esquema de fijación paralelo



Abstand für gegenüberliegende Montage



**Caution!** Please be careful not to damage the sensor and personally do not damage the function of the cable.

XECRO ist ein Unternehmen der XECRO Group. Alle Rechte vorbehalten. XECRO ist ein Unternehmen der XECRO Group.

# IPS18-N16A079-A12

Objeto de propiedad intelectual de XECRO

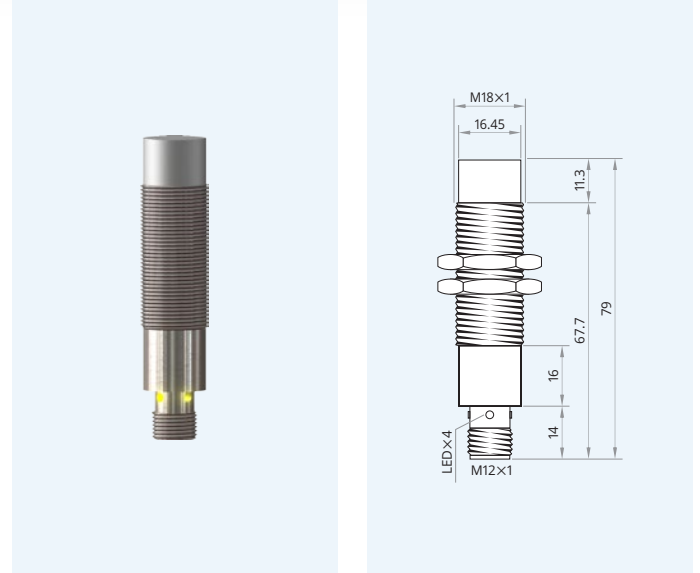
Behältergröße	M18x1
Montage	notwendig
Schraubendreherschneidung S <sub>n</sub>	16 mm
Druckbereich	20...250 V <sub>AC</sub>
Reaktionszeit	notwendig
Stromverbrauch	<3 mA
Spannungsausgang	400 mA
Ausgangsfunktion	schaltend
Spannungsfall	<8 V @ 400 mA
Schaltfrequenz	25 Hz
Reduktion	Alu 0,45 · Mess 0,055 · 0,085
Temperaturbereich	-20...+70 °C · -3...+159 °F
Grad der Schutzart	IP67
Sensordetektor	PBT
Material	messing
Montage	integriert
Abmessung	60x20x22 for M12
Abmessung z	24 mm
Abmessung x	20 mm
Zertifizierung	CE, RoHS



# 2-Wire AC

## Corriente alterna

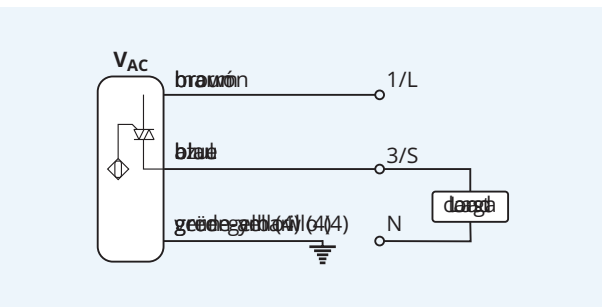
### 2-Wire AC



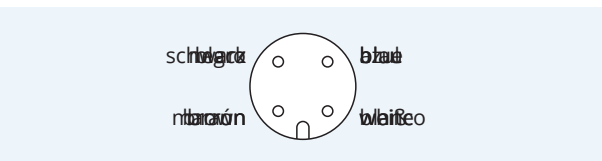
**25** Monate

**Garantie** Unsere Produkte werden gefertigt nach den Standards ISO 9001. Es gibt eine 25-Monats-Garantie auf die Originalteile. Die Garantie ist nicht übertragbar.

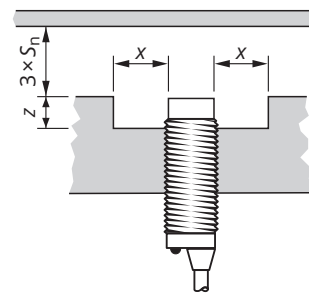
Diagrama de conexión



Asignación de pines



Esquema de fijación paralelo



**Caution!** Este dispositivo no debe ser utilizado por personal no capacitado. La función no es responsable.

XECRO is a registered trademark of XECRO. All rights reserved. XECRO is not responsible for any damage caused by the use of this product.

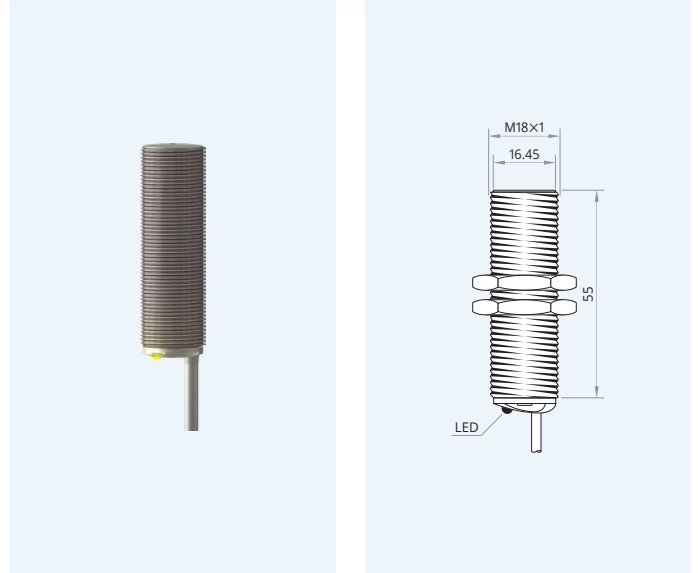
**IPS18-S8PC55-A2P**

Object ID: #911#1#5#5#5#8.

Behältergröße	M18x1
Montage	Büchse
Sensordurchmesser $S_n$	8 mm
Betriebsspannung	10...30 V <sub>DC</sub>
Reverse-Polarity-Schutz	Integriert
Stromverbrauch	< 8 mA
Supply-Current-Spanne	200 mA
Ausgangsfunktion	Öffnen bei Abschaltung
Ausgangspolarität	PNP
Richtungsproduktion	Integrierte, feste, durchgehende
Spitzenfall	< 1,5 V @ 200 mA
Schaltfrequenz	500 Hz
Reduktion der Emission	Alu 0,45 · Masse 0,55 · 9000000
Temperaturbereich	-20... +70 °C · -3... +159 °F
Strahlungsabweisung	IP67
Sensordatenwert	PBT
Montagebox	Brass
Switching-Commutation	Integriert
Abdichtung	PVC, ultra-flex
Compliance	CE, RoHS

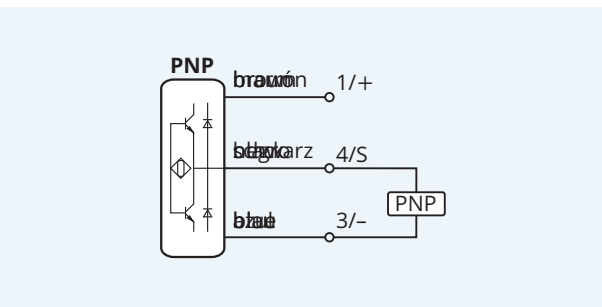


**3-Mittelbores CC**  
 Sensing ahead

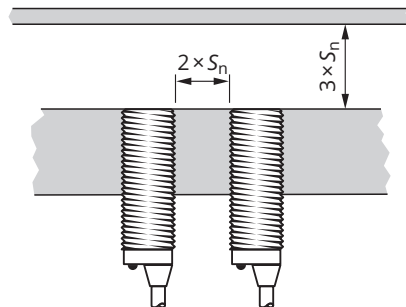


**25** Monate  
**Warranty** Unsere Produkte werden für mindestens 25 Monate garantiert, entsprechend 30.000 Stunden. Das ist die höchste Qualität.

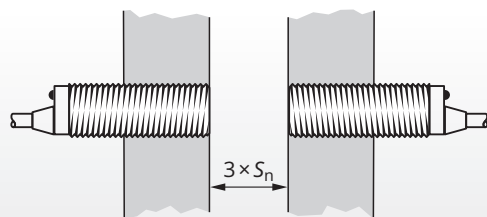
Diagrama de conexión



Es ist ein tiefe parallele Montage



Abstand für gegenüberliegende Montage



**Caution!** Please be careful not to damage the sensor and personally check the function of the cable.

XECRO ist ein Unternehmen der XECRO Group. XECRO ist ein Unternehmen der XECRO Group.

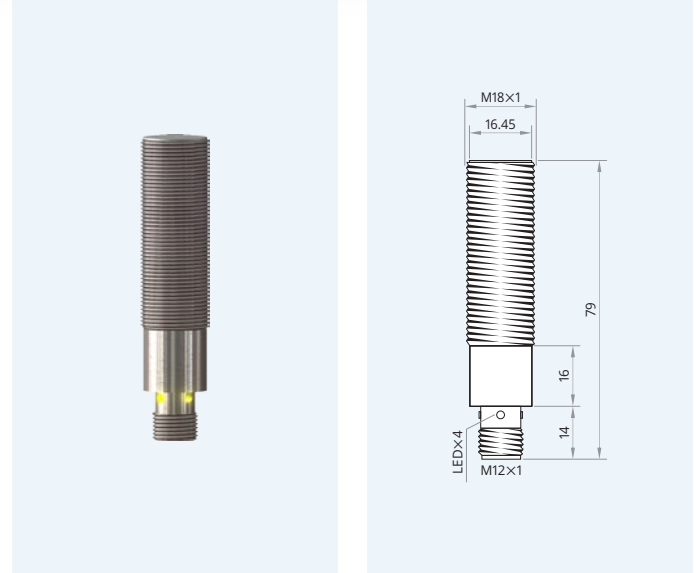
## IPS18-S8PC79-A12

Objeto de propiedad intelectual de XECRO S.L.

Ensamblado en casa	M18x1
Montaje	Bushado
Separación de función $S_n$	8 mm
Distancia de montaje	10...30 V <sub>DC</sub>
Reversibilidad de detección	Integrada
Consumo de corriente	< 8 mA
Capacidad de corriente de salida	200 mA
Estado de salida	Órfinalmente cerrado
Configuración de salida	PNP
Resistencia de protección de circuito	Integrada, 100 Ω
Voltaje de cortocircuito	< 1,5 V @ 200 mA
Frecuencia de conmutación	500 Hz
Reducción de emisión	Alu 0,45 · <del>Brass 0,505</del> 0,385
Temperatura de funcionamiento	-20... +70 °C · -3... +159 °F
Grado de protección	IP67
Sensibilidad de ruido de det.	PBT
Material de la carcasa	Brass
Modo de conmutación	Integrado
Conexión	Standard M12
Conformidad	CE, RoHS



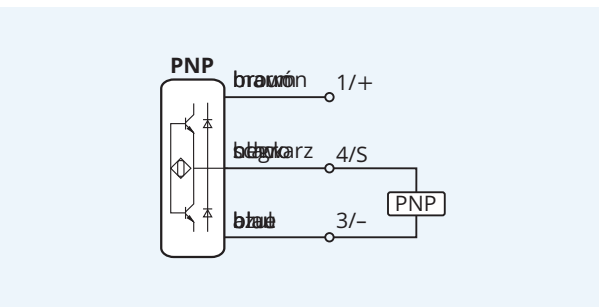
## Resistive Proximity Sensor 3-Wire PNP CC Sensor de proximidad resistivo



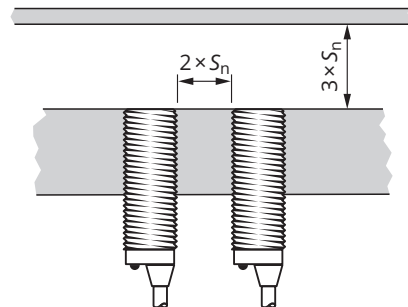
**25** Meses

**Warranty** UNESPRICIPALMENTE, GARANTÍA DE 25 MESES. El fabricante se compromete a reparar o sustituir el producto defectuoso de forma gratuita durante el periodo de garantía. **RoHS compliant**

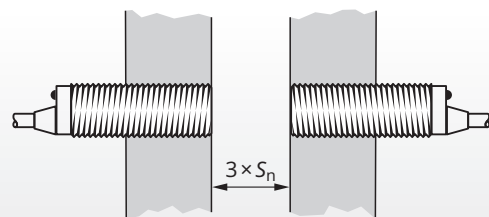
Diagrama de conexión



Esquema de fijación para montaje



Abstracción de fijación para montaje



**⚠** Cautión! El estado positivo no debe ser el de seguridad personal y depende de la función o configuración.

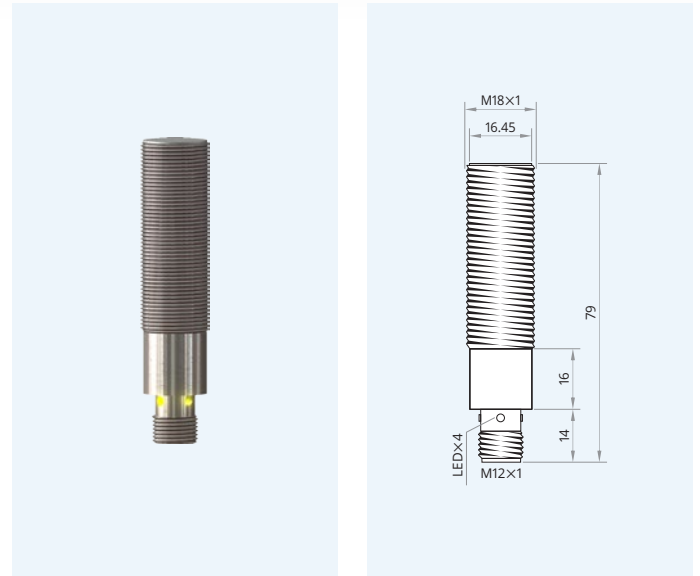
XECRO XIA180 serie de sensores de proximidad resistivos de 3 hilos con salida PNP CC.

**IPS18-S8PO79-A12**

**Resistive Proximity Switch Active  
 3-Wire PNP CC  
 Resistivo Proximidad de Contacto Activo**

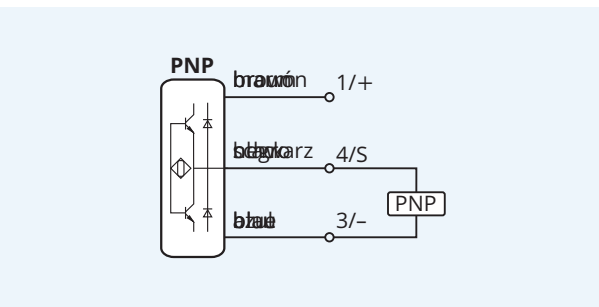
Object Code: 01911#15#15#5#5#0#8.

Body diameter	M18x1
Mounting	Flush
Switching distance $S_n$	8 mm
Operating voltage	10...30 V <sub>DC</sub>
Reverse voltage detection	Integrated
Current consumption	< 8 mA
Supply current	200 mA
Output current	600 mA (open)
Output polarity	PNP
Short-circuit protection	Integrated, fuse-protected
Operating voltage	< 1,5 V @ 200 mA
Switching frequency	500 Hz
Reduction factor	Alu 0,45 · Brass 0,55 · SS 0,85
Operating temperature	-20... +70 °C · -3... +159 °F
Protection class	IP67
Sensing distance	PBT
Body material	Brass
Switching rate	Integrated
Connection	Standard for M12
Compliance	CE, RoHS

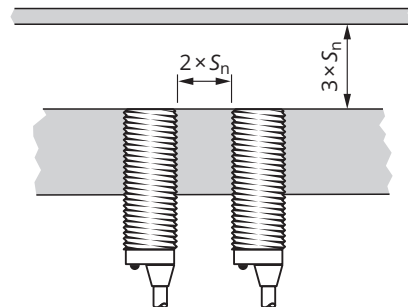


**25** Months  
**Warranty** UNICAP provides a 25-month warranty on all products. The warranty is based on the ISO 9001 certification, supported by 8000 hours of testing and a 100% inspection rate. The warranty is not applicable in the case of misuse.

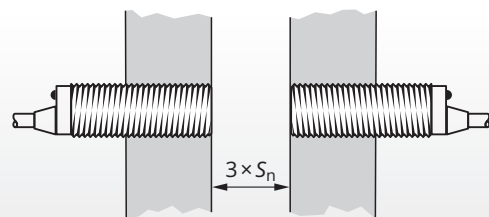
Diagrama de conexión



Esquema de fijación para montaje



Abstand für gegenüberliegende Montage



**Caution!** This is a positive voltage sensor and must be used in a safe and approved manner. The function of the sensor depends on the polarity of the connection.

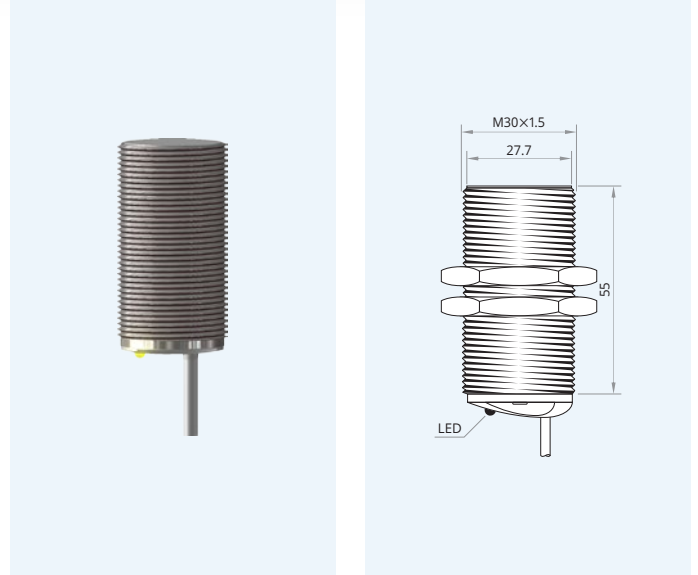
XECRO ist ein Unternehmen der XECRO Group. Alle Rechte vorbehalten. XECRO ist ein Unternehmen der XECRO Group. Alle Rechte vorbehalten.

# IPS30-S10PC55-A2P

# Resistive Proximity Sensor Activo 3-Wire D06 Resistor type of 5-pin standard

Objeto de la Norma: 15157, 5157, 0157.

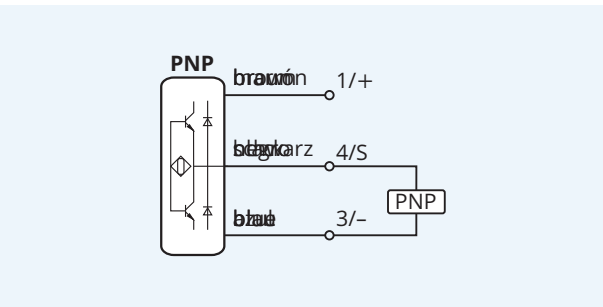
Enchufe de instalación	M30x1,5
Montaje	Bushado
Sensibilidad de acción $S_n$	10 mm
Distancia de montaje	10...30 V <sub>DC</sub>
Resistencia de salida de detección	Integrada
Consumo de corriente	< 8 mA
Corriente de salida	200 mA
Estado de salida	Óhmicamente cerrado
Configuración de salida	PNP
Resistencia de protección de circuito	Integrada, fijo a 100 Ω
Voltaje de cortocircuito	< 1,5 V @ 200 mA
Frecuencia de conmutación	300 Hz
Reducción de inductancia	Alu 0,45 · <del>0,505590885</del>
Temperatura de funcionamiento	-20... +70 °C · -3... +159 °F
Grado de protección	IP67
Sensibilidad de salida de det.	PBT
Material de carcasa	Brass
Material de conmutación	Integrado
Conexión	PVC, ultra-flex
Conformidad	CE, RoHS



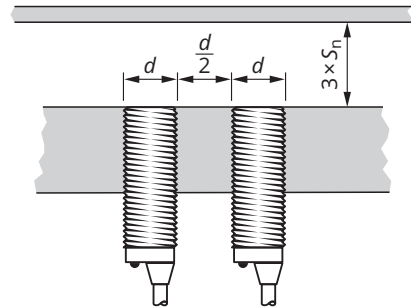
**25** Meses

**Warranty** UNDES es responsable de este producto en el caso de que el cliente devuelva el producto en un plazo de 25 meses desde la fecha de compra. El cliente debe presentar el producto original y el embalaje original para poder hacer el reclamo.

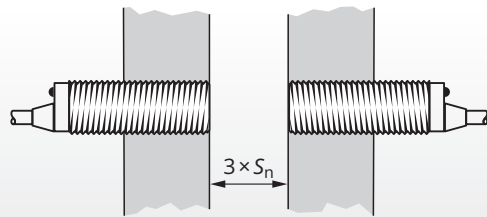
Diagrama de conexión



Esquema de fijación para montaje



Abstracción de fijación para montaje



**⚠** Cautión: Este dispositivo no debe ser utilizado si se ha dañado físicamente o si no funciona correctamente. La función de protección depende de la configuración de los pines.

XECRO es un producto de XECRO. El fabricante es XECRO. El distribuidor es XECRO. El representante es XECRO. El responsable es XECRO. El vendedor es XECRO. El comprador es XECRO. El usuario es XECRO. El propietario es XECRO. El responsable es XECRO. El fabricante es XECRO. El distribuidor es XECRO. El representante es XECRO. El responsable es XECRO. El vendedor es XECRO. El comprador es XECRO. El usuario es XECRO. El propietario es XECRO.

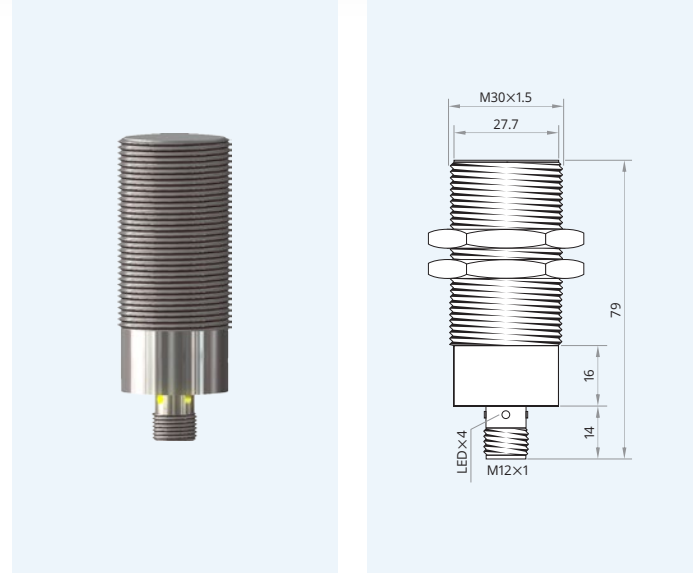
## IPS30-S10PC79-A12

Object ID: #15755788

Behältergröße	M30x1,5
Montage	Büchse
Sensitivitätsfunktion $S_n$	10 mm
Betriebsspannung	10...30 V <sub>DC</sub>
Reverse-Polarity-Schutz	Integriert
Stromverbrauch	< 8 mA
Supply-Current	200 mA
Ausgangsfunktion	Öffnen bei Berührung
Ausgangspolarität	PNP
Reaktionsschwellenwert	Integriert, feststellbar
Spannungsfall	< 1,5 V @ 200 mA
Schaltfrequenz	300 Hz
Reduktion der Emission	Alu 0,45 · Masse 0,55 · 9000885
Temperaturbereich	-20... +70 °C · -3... +159 °F
Strahlungsabweisung	IP67
Sensitivitätswert	PBT
Montagebehälter	Brass
Switching-Comutation	Integriert
Abmessung	Standard M12
Compliance	CE, RoHS



## Resistive Präzisions-Schaltrelais 3-Wire DDC Relay for detection of standard

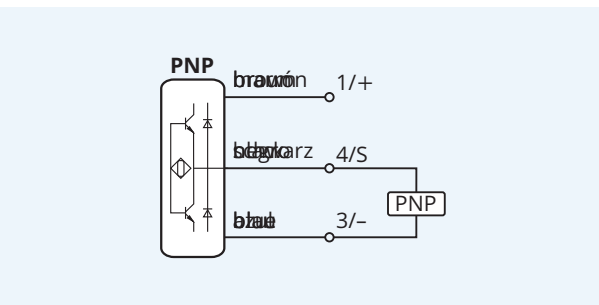


**25** Monate

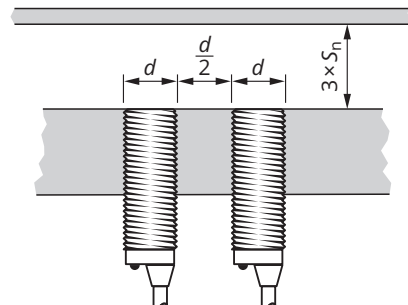
**Warranty** Unsere Produkte werden für ein Jahr ab dem Kaufdatum garantiert. Bei Beschädigung während der Garantiezeit wird ein Ersatzprodukt geliefert.

**Quality Management**  
ISO 9001:2015

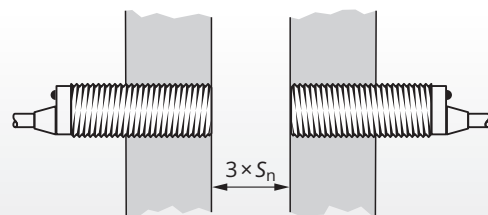
Diagrama de conexión



Es ist an die für parallele Montage



Abstand für gegenüberliegende Montage



**Caution!** Please do not touch the relay when it is powered on. The relay is not designed for use in hazardous areas. The function of the relay depends on the polarity of the supply voltage.

XECRO ist ein Unternehmen der XECRO Group. Alle Rechte vorbehalten. XECRO ist ein Unternehmen der XECRO Group.

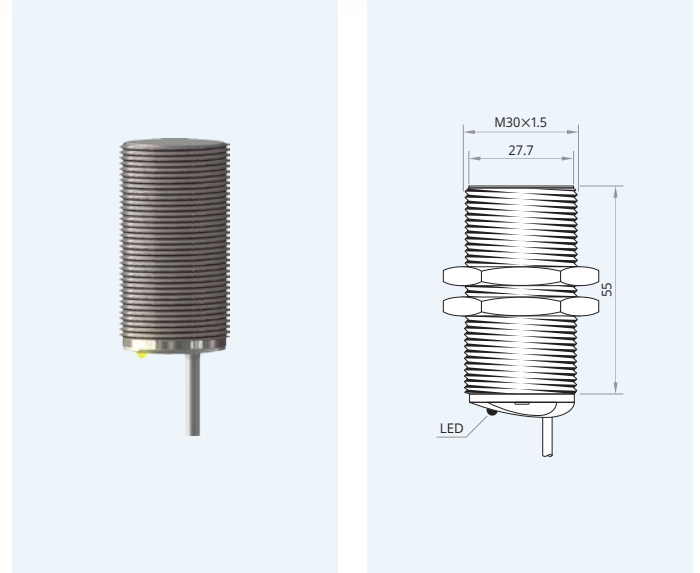


**IPS30-S16DO55-A2P**

0#ech0#0#9#1#1#5#1#5#5#0#8#8.

Behältergröße	M30x1,5
Montage	Büchse
Seitliche Schutzfunktion S <sub>n</sub>	16 mm
Optischer Montage	10...55 V <sub>DC</sub>
Reaktionszeit	Integriert
Stromverbrauch	< 8 mA
Spannungsausgang	200 mA
Ausgangsfunktion	Einzelkontakt
Reaktionsschwellenwert	Integriert
Spannungsfrequenz	< 1,5 V @ 200 mA
Reaktionsschwellenwert	150 Hz
Reaktionsschwellenwert	Alu 0,45 · Masse 0,055 · 5000000
Reaktionsschwellenwert	-20...+70 °C · -3...+159 °F
Reaktionsschwellenwert	IP67
Reaktionsschwellenwert	PBT
Reaktionsschwellenwert	Massing
Reaktionsschwellenwert	Integriert
Reaktionsschwellenwert	PVC, ultra-flex
Reaktionsschwellenwert	CE, RoHS

**2-Wire DC**  
**Corriente continua**  
**2-Wire DC**



**25** Monate  
**Garantie** UNTERSPICHTET UND BEWERTET  
 Die Qualität der Produkte wird durch die  
 ISO 9001 Zertifizierung, die ISO 14001  
 Zertifizierung und die RoHS-Zertifizierung  
 gewährleistet.


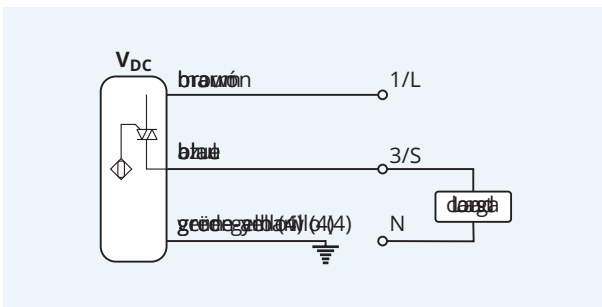
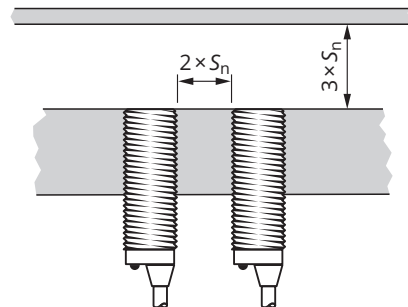


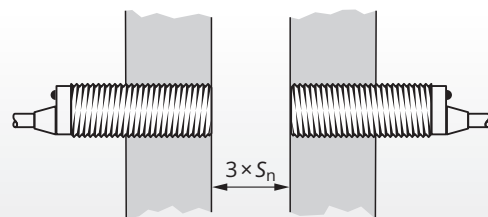
Diagrama de conexión



Es ist für die parallele Montage



Abstand für die parallele Montage



**Caution!** Please do not touch the sensor while it is powered on. The sensor is not for use in hazardous areas.  
 Asegurarse de no tocar la función de protección.

XECRO ist ein Unternehmen der XECRO Group. XECRO ist ein Unternehmen der XECRO Group.