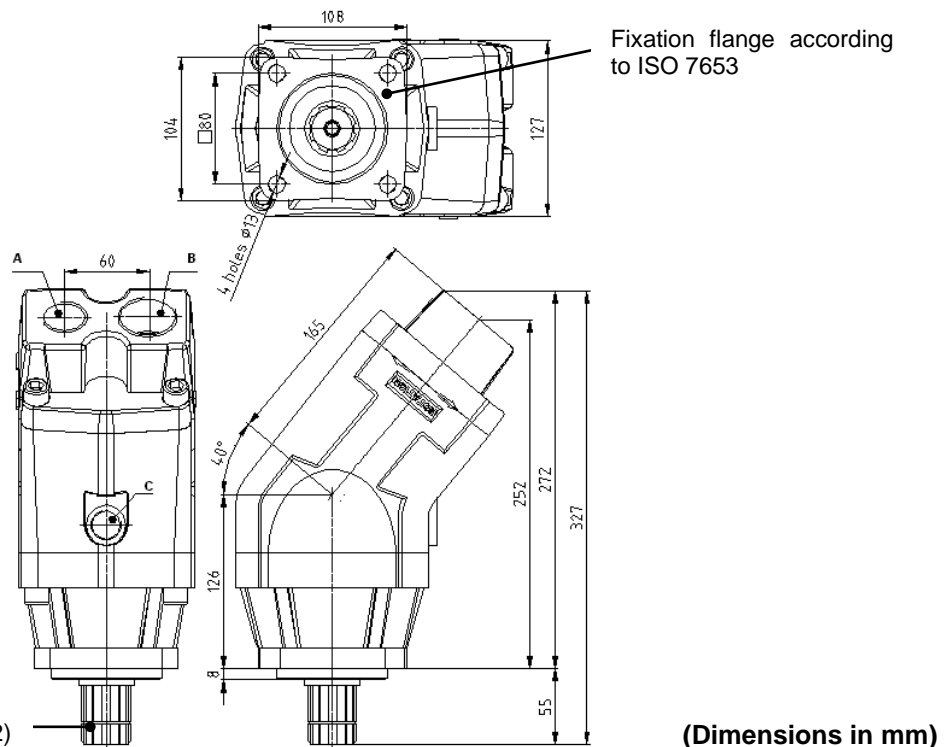




OIL-HYDRAULIC BENT PUMP AXIAL PISTONS

Ref. BI P7

Main Dimensions



Main Data

| Pumps BI | 80P7 | 110P7 | 125P7 | 135P7 |
|-----------------------------------------------|------------|------------|------------|------------|
| Displacement (cm ³ /rot.) | 80 | 108 | 126 | 136 |
| Operating pressure (bar) (up to) | 350 | 350 | 350 | 250 |
| Peak pressure (bar) | 400 | 400 | 400 | 300 |
| Operating rotation ¹ (rpm) | 1800 | 1600 | 1500 | 1500 |
| Max. rotation without load ¹ (rpm) | 2000 | 1800 | 1700 | 1700 |
| Weight (approx.) (kg) | 13.0 | 13.4 | 13.6 | 13.8 |
| Pistons quantity | 7 | | | |
| A-Oil outlet (DIN ISO 228) | 1" BSP | 1" BSP | 1" BSP | 1" BSP |
| B-Oil inlet (DIN ISO 228) | 1 1/4" BSP | 1 1/2" BSP | 1 1/2" BSP | 1 1/2" BSP |
| C | Drain hole | | | |

How to order:

Example: Pump 80cm³/rot, operating pressure up to 350 bar; peak pressure 400 bar, ref. BI P → BI80P7

| | |
|----------------------------------------|----------------------------------------------------------|
| Fluids | mineral oils type ISO HM or DIN 51524-2 HLP |
| Recommended viscosity range | 20 to 40 cSt (mm ² /s) at working temperature |
| Limits viscosity range | 10 to 750 cSt (mm ² /s) |
| Start-up viscosity range, without load | 750 to 1500 cSt (mm ² /s) |
| Filtration | 10µm ISO4406 18/13 |
| Inlet pressure range | 0,8 to 2 bar abs |

In the application of any of these pumps; the use of these data does not exempt the reading of the instruction "BI pumps recommendations before start-up"

¹ These values are valid at an absolute pressure of 1 bar in suction port when operating with a mineral oil at a viscosity of 30 mm²/s (cSt).

ABER is constantly engaged in improving its products and, therefore, reserves itself the right to modify without any further notice the characteristics shown

ABER HYDRAULICS S.A.

Rua Francisco de Almeida, N° 30 – Vila Nova da Telha – 4470-410 Maia - Portugal

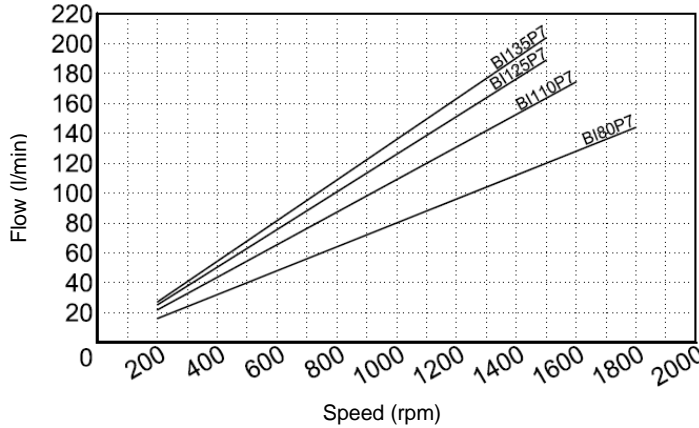
Phone: +351.22.9438070 | E-mail: aber@aber.pt | <http://www.aber.pt>



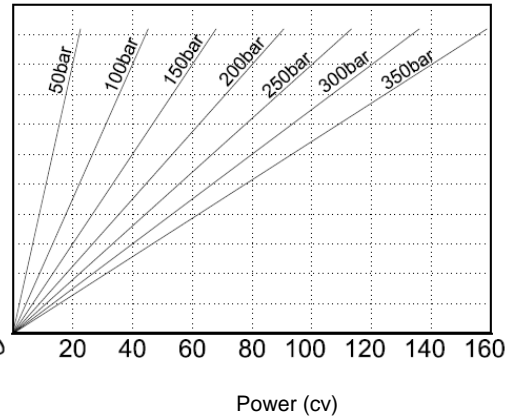
OIL-HYDRAULIC BENT PUMP AXIAL PISTONS

Ref. BI P7

**Diagram
Flow - Speed**



**Diagram
Input Power - Flow - Pressure**



Hose dimensions

| Inlet Hose | |
|--------------|-------------------------------|
| Flow (l/min) | Internal pipe diameter (inch) |
| 30-40 | 1"1/4 |
| 50-60 | 1"1/2 |
| 70-90 | 1"3/4 |
| 100-120 | 2" |
| 130-150 | 2"1/4 |
| 160-190 | 2"1/2 |
| 200-230 | 2"3/4 |

| Outlet Hose | | | | | | |
|----------------|-------------------------------|--------|---------|---------|---------|---------|
| Flow (l/min) | Internal pipe diameter (inch) | | | | | |
| | 30 | 1/2" | 1/2" | 1/2" | 1/2" | 1/2" |
| 40 | 5/8" | 1/2" | 1/2" | 1/2" | 1/2" | |
| 50 | 5/8" | 5/8" | 5/8" | 1/2" | 1/2" | |
| 60 | 3/4" | 5/8" | 5/8" | 5/8" | 5/8" | |
| 70 | 1" | 3/4" | 3/4" | 5/8" | 5/8" | |
| 80 | 1" | 3/4" | 3/4" | 3/4" | 3/4" | |
| 90 | 1" | 1" | 1" | 3/4" | 3/4" | |
| 100 | 1" | 1" | 1" | 1" | 3/4" | |
| 110 | 1" | 1" | 1" | 1" | 1" | |
| 120 | 1" | 1" | 1" | 1" | 1" | |
| 130 | 1" | 1" | 1" | 1" | 1" | |
| 140 | 1"1/4 | 1" | 1" | 1" | 1" | |
| 150 | 1"1/4 | 1" | 1" | 1" | 1" | |
| 160 | 1"1/4 | 1"1/4 | 1" | 1" | 1" | |
| 170 | 1"1/4 | 1"1/4 | 1" | 1" | 1" | |
| 180 | 1"1/4 | 1"1/4 | 1"1/4 | 1" | 1" | |
| 190 | 1"1/4 | 1"1/4 | 1"1/4 | 1" | 1" | |
| 200 | 1"1/2 | 1"1/4 | 1"1/4 | 1"1/4 | 1" | |
| 210 | 1"1/2 | 1"1/4 | 1"1/4 | 1"1/4 | 1"1/4 | |
| | | 50-100 | 100-150 | 150-200 | 200-300 | 300-350 |
| P (bar) | | | | | | |

Important notes:

- To install one of these pumps, please consult and respect the instruction "BI pumps recommendations before start-up";
- Other axis available, please consult "Axel options".

ABER is constantly engaged in improving its products and, therefore, reserves itself the right to modify without any further notice the characteristics shown

ABER HYDRAULICS S.A.

Rua Francisco de Almeida, Nº 30 – Vila Nova da Telha – 4470-410 Maia - Portugal
Phone: +351.22.9438070 | E-mail: aber@aber.pt | <http://www.aber.pt>