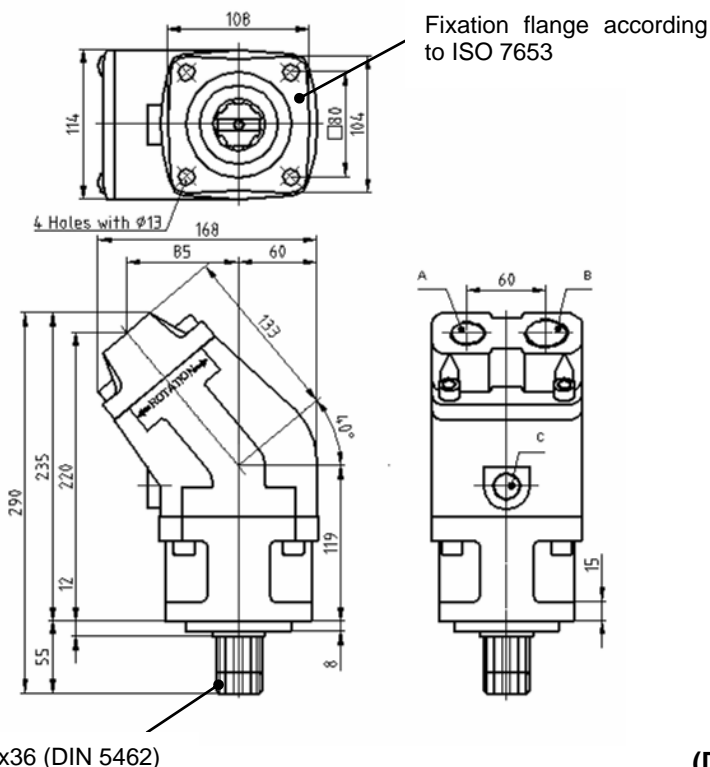




OIL-HYDRAULIC BENT PUMP AXIAL PISTONS

Ref. BI M7

Main Dimensions



B8x32x36 (DIN 5462)

(Dimensions in mm)

Main Data

Pumps BI	60M7	80M7
Displacement (cm ³ /rot.)	60	81
Operating pressure (bar) (up to)	350	300
Peak pressure (bar)	400	350
Operating rotation ¹ (rpm)	2000	1500
Max. rotation without load ¹ (rpm)	2600	2000
Weight (approx.) (kg)	10.5	10.5
Pistons quantity	7	
A-Oil outlet (DIN ISO 228)	3/4" BSP	1" BSP
B-Oil inlet (DIN ISO 228)	1" BSP	1 1/4" BSP
C	Drain hole	

How to order:

Example: Pump 80cm³/rot, operating pressure up to 300 bar; peak pressure 350 bar, ref. BI M7 → BI80M7

Fluids	mineral oils type ISO HM or DIN 51524-2 HLP
Recommended viscosity range	20 to 40 cSt (mm ² /s) at working temperature
Limits viscosity range	10 to 750 cSt (mm ² /s)
Start-up viscosity range, without load	750 to 1500 cSt (mm ² /s)
Filtration	10µm ISO4406 18/13
Inlet pressure range	0,8 to 2 bar abs
In the application of any of these pumps; the use of these data does not exempt the reading of the instruction "BI pumps recommendations before start-up"	

¹ These values are valid at an absolute pressure of 1 bar in suction port when operating with a mineral oil at a viscosity of 30 mm²/s (cSt).

ABER is constantly engaged in improving its products and, therefore, reserves itself the right to modify without any further notice the characteristics shown

ABER HYDRAULICS S.A.

Rua Francisco de Almeida, N° 30 – Vila Nova da Telha – 4470-410 Maia - Portugal

Phone: +351.22.9438070 | E-mail: aber@aber.pt | <http://www.aber.pt>

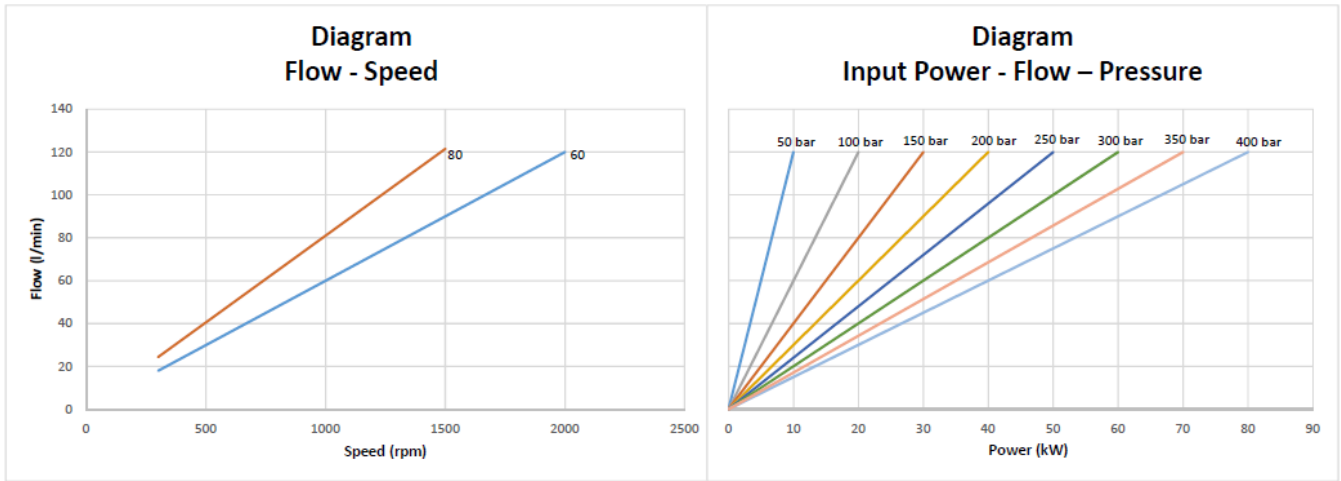
1/2

ABER HAS A QUALITY MANAGEMENT SYSTEM CERTIFIED ACCORDING TO THE STANDARD ISO 9001 BY APCER.



OIL-HYDRAULIC BENT PUMP AXIAL PISTONS

Ref. BI M7



Hose dimensions

Inlet Hose	
Flow (l/min)	Internal pipe diameter (inch)
30-40	1"1/4
50-60	1"1/2
70-90	1"3/4
100-120	2"
130-150	2"1/4

Outlet Hose						
Flow (l/min)	Internal pipe diameter (inch)					
	30	1/2"	1/2"	1/2"	1/2"	1/2"
40	5/8"	1/2"	1/2"	1/2"	1/2"	
50	5/8"	5/8"	5/8"	1/2"	1/2"	
60	3/4"	5/8"	5/8"	5/8"	5/8"	
70	1"	3/4"	3/4"	5/8"	5/8"	
80	1"	3/4"	3/4"	3/4"	3/4"	
90	1"	1"	1"	3/4"	3/4"	
100	1"	1"	1"	1"	3/4"	
110	1"	1"	1"	1"	1"	
120	1"	1"	1"	1"	1"	
130	1"	1"	1"	1"	1"	
140	1"1/4	1"	1"	1"	1"	
150	1"1/4	1"	1"	1"	1"	
		50-100	100-150	150-200	200-300	300-350
P (bar)						

Important notes:

- To install one of these pumps, please consult and respect the instruction "BI pumps recommendations before start-up";
- Other axis available, please consult "Axel options".

ABER is constantly engaged in improving its products and, therefore, reserves itself the right to modify without any further notice the characteristics shown

ABER HYDRAULICS S.A.

Rua Francisco de Almeida, Nº 30 – Vila Nova da Telha – 4470-410 Maia - Portugal
Phone: +351.22.9438070 | E-mail: aber@aber.pt | <http://www.aber.pt>